



NSW Police Force
www.police.nsw.gov.au

FIREARMS REGISTRY

Safe Storage Level Two - Category C, D & H Requirements

All persons possessing firearms in NSW must comply with the safe keeping and storage requirements prescribed by the *Firearms Act 1996*, the *Firearms Regulation 2006* and as recommended by the Commissioner.

This FACT sheet provides information on the safe keeping and storage requirements applicable to all Category C, D & H firearm licence holders.

What are the general requirements in relation to the safe keeping of firearms?

All licence holders in NSW are subject to the general requirement for safe storage of firearms under section 39 of the *Firearms Act 1996* (The Act). Any person in possession of a firearm must take all reasonable precautions to ensure the firearm is kept safely, is not lost or stolen and does not come into the possession of an unauthorised person.

In addition to this general safe keeping requirement, there are specific legislative requirements for the safe keeping and storage of firearms for Category C, D & H firearm licence holders.

What are the safe storage requirements for Category C, D & H firearms?

Section 41 of the Act provides mandatory minimum requirements for the safe keeping and storage of firearms held under a Category C, D & H licence as follows:

- * When a firearm is not actually being used or carried, it must be stored in a locked steel safe of a type approved by the Commissioner, that cannot be easily penetrated.
- * The safe must be bolted to the structure of the premises where the firearm is authorised to be kept.
- * Any ammunition for the firearm must be stored in a locked container of a type approved by the Commissioner. Ammunition may be kept in the receptacle with the firearms, but must be kept in a separate locked container within the receptacle.

Failure to meet these requirements is a serious offence with a fine of \$5,500 or 2 years imprisonment, or both.

Do I have to secure my receptacle to the premises?

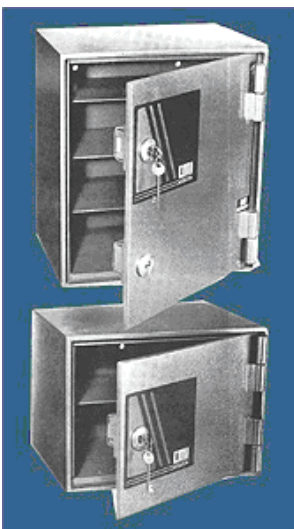
Yes. The safe must be secured to the structure of the premises - section 41 (1)(b) of the Act.

Consideration should be given to the positioning & mounting of the safe. The safe should be positioned in a way that makes it difficult to jemmy open. For example a safe placed in a corner with the lock closest to the wall would be more difficult to cut or jemmy open.

The safe must be bolted to the premises by way of internally fitted bolts or screws through the base or back of the safe. The securing points should not be visible or accessible externally to the safe.

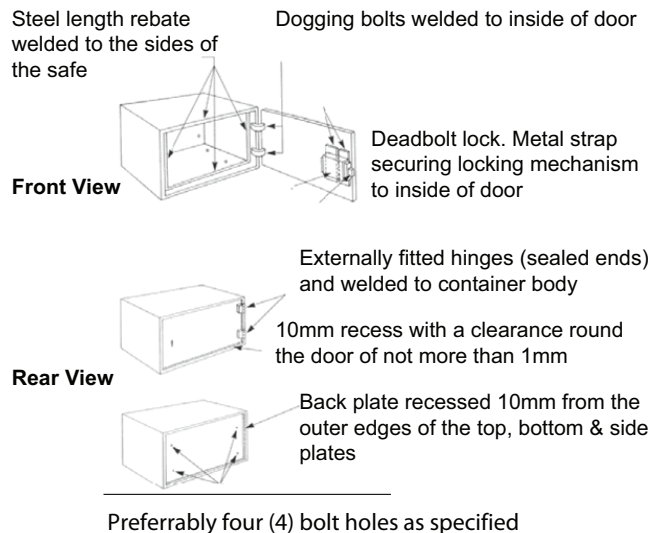
Mounting of the Safe

- * When mounted onto brick, stone or concrete, it should be attached by at least four (4) masonry anchors 90mm in length and 10mm in diameter internally fitted through holes in the rear and/or base of the container, securing it to the floor and/or wall. The safe should be flush against the floor and/or wall.
- * When mounted onto main wall studs, it should be fitted flush against the wall and secured to the wall studs and/or floor joists by four (4) galvanized hexagon head coach screws, not less than 65mm in length and 8mm in diameter.



Example of a basic container which would comply with the requirements of the Act in respect of Category C, D and H firearms.

NOTE: Category A & B firearms may be stored in this safe as the security level exceeds that of lower level containers.



What are the minimum standards for safes for C, D & H firearms?

The minimum standards, as determined by the Commissioner of Police for the safe to be approved are as follows:

- * The safe should be constructed of structural grade 250 mild steel conforming with AS3679 and be not less than 6mm in thickness for pistols and 3mm for longarms and be constructed with continuous welding on all external edges; and
- * It should be fitted with a door not less than 6mm thick, swung on either concealed pivots, or externally mounted sealed end hinges welded to the door and body of the safe, with a clearance round the door of not more than 1mm; and
- * If hinged, have a locking bar or dogging bolts welded to the inside face of the door near the hinge edge, which engages in a rebate in the container body when the door is closed; and
- * Be fitted with a pick resistant deadbolt locking mechanism that is activated by either a six lever key, or pin/combination lock or biometric scanning (ie: fingerprint etc). The lock should be securely affixed to the rear face of the door and a metal strap overlapping the lock case with each end welded to hardened steel anti drill plates (3mm mild case hardened to 60 Rockwell CO) which will in turn be welded to the door; and
- * Be constructed with a full length rebate welded to the side of the container body. Locking edge to receive the deadbolt of the locking mechanism; and
- * A pistol safe should be constructed to leave a 10mm skirt formed by the recessing of the back plate from the outer edges of the sides, top and bottom wall plates to prevent jemmying.

Can I make alternative arrangements for safe storage?

Yes. Provided the Commissioner of Police is satisfied that the alternative arrangements for the safe keeping & storage of firearms in the licensee's possession are of a standard not less than the requirements as outlined for Category C, D & H licence holders.

When do I need to have my safe storage inspected by police?

Inspections may be conducted by police at a mutually agreed time - Section 19 (2)(c) of the Act.

If your safe storage requires inspection, police will contact you to arrange a time for the inspection and they will issue you with an event number upon successful completion of the inspection.

What if I change the address where my firearms are stored?

You must notify the Firearms Registry within 14 days of any change to a safe storage address.

This can be completed electronically by using the 'Change of Personal Details' form on our website. By using this form you are meeting all the requirements for notification of a change of firearm safe storage address.

Police will contact you when the new safe storage address needs to be inspected.

Related Information

See FACT Sheets:

- 'Ammunition Safe Storage, Purchase and Possession',
- 'Transportation of Firearms',
- 'Level 1 Safe Storage - Category A & B Requirements'.

Where can I find more information?

The information provided in the FACT Sheet is for general guidance only. Applicants and licensees should familiarise themselves with the *Firearms Act 1996* and the *Firearms Regulation 2006*, which are available on the NSW Legislation website - www.legislation.nsw.gov.au.

Firearms Registry

Address

Locked Bag 1
Murwillumbah NSW 2484

Telephone

1300362562

Interstate

02 66708590

Fax

02 66708558

Email

firearmsenq@police.nsw.gov.au

Website

www.police.nsw.gov.au/firearms



NSW Police Force
www.police.nsw.gov.au

